



# INDOFINE Chemical Company, Inc.

121 Stryker Lane, Bldg. 30, Suite 1 • Hillsborough, NJ 08844 • U.S.A.

Phone: (908) 359-6778 • FAX: (908) 359-1179

website: [www.indofinechemical.com](http://www.indofinechemical.com)

e-mail: [chemical@indofinechemical.com](mailto:chemical@indofinechemical.com)

## CERTIFICATE OF ANALYSIS

Catalog Number: 19-499

Product Name: **2'-HYDROXY- $\alpha$ ,4',6'-TRIMETHOXYACETOPHENONE**

Lot Number: 0205114

Chemical Formula: C<sub>11</sub>H<sub>14</sub>O<sub>5</sub>

Molecular Weight: 226.23

Melting Point: 101-104°C

Appearance: Off white powder

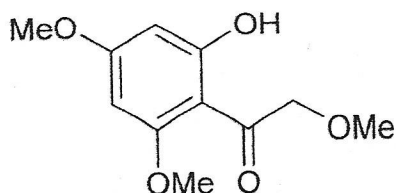
Solubility: Soluble in Chloroform

TLC: Hexane:Ethyl acetate (7:3)

NMR Spectrum: Enclosed (Confirms to the structure)

Storage: Cool and dry place

Purity (HPLC): 99%





# INDOFINE Chemical Company, Inc.

121 Stryker Lane, Bldg. 30, Suite 1 • Hillsborough, NJ 08844 • U.S.A.

Phone: (908) 359-6778 • FAX: (908) 359-1179

website: [www.indofinechemical.com](http://www.indofinechemical.com)

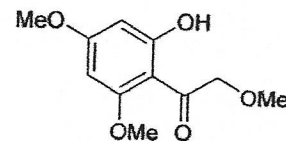
e-mail: [chemical@indofinechemical.com](mailto:chemical@indofinechemical.com)

## HPLC ANALYSIS

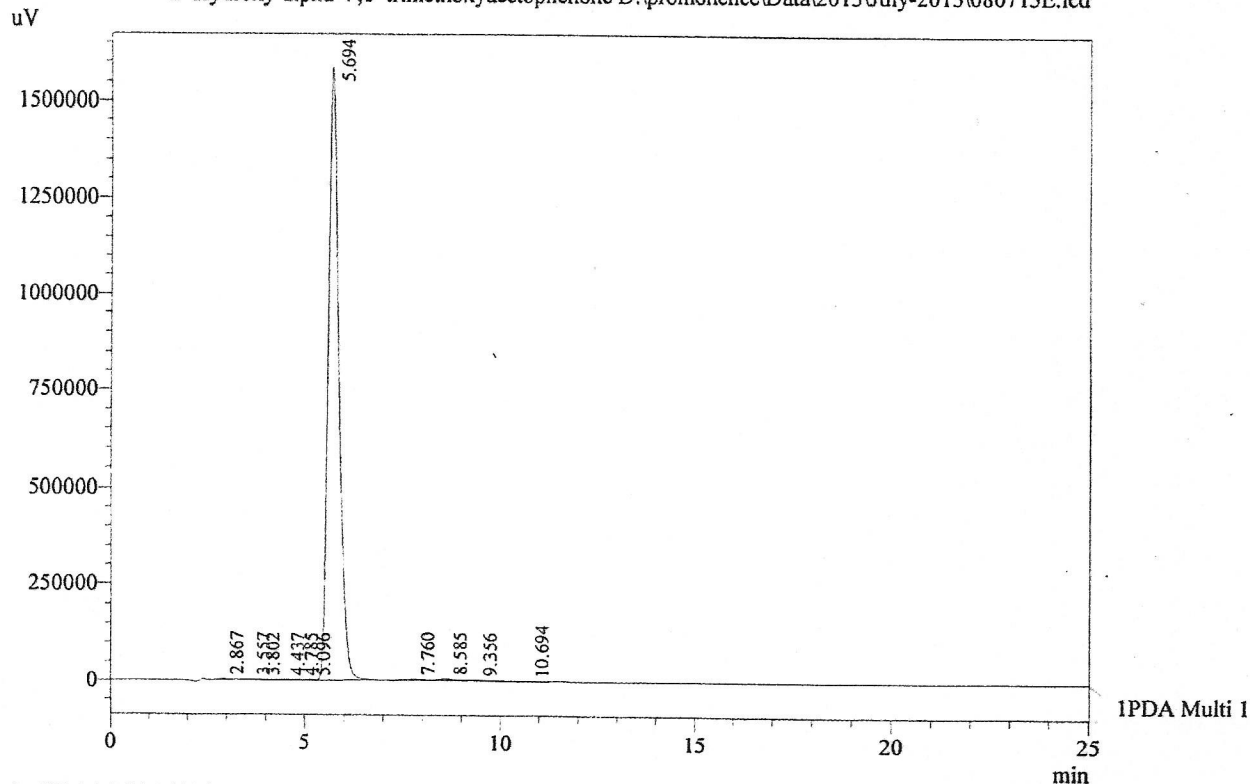
Acquired by : Sanjeev  
 Sample Name : 2'-Hydroxy-alpha-4',6'-trimethoxyacetophenone  
 Sample ID : Lot No: 0205114  
 Injection Volume : 20 uL  
 Data Filename : 080713E.lcd  
 Method Filename : Linear Isocratic.M.lcm

Catalog No.: 19-499  
 Product Name: 2'-Hydroxy-alpha,4',6'-trimethoxyacetophenone  
 Lot No.: 98110

Column : LUNA C-18(2), (250mm x4.6mm 5.0µ)  
 Flow : 1.000 mL/min.  
 Mobile Phase : A(40% of 0.05% TFA in water) B(60% of Acetonitrile)



Chromatogram  
 2'-Hydroxy-alpha-4',6'-trimethoxyacetophenone D:\promonence\Data\2013\July-2013\080713E.lcd



1 PDA Multi 1 / 220nm 4nm

PeakTable

PDA Ch1 220nm 4nm

Peak#	Name	Ret. Time	Area	Area %	Relative Retention Time
1	RT:2.867	2.867	30100	0.10	0.50
2	RT:3.557	3.557	6957	0.02	0.62
3	RT:3.802	3.802	8100	0.03	0.67
4	RT:4.437	4.437	15618	0.05	0.78
5	RT:4.785	4.785	10960	0.04	0.84
6	RT:5.096	5.096	12556	0.04	0.89
7	2'-OH- $\alpha$ -4',6'-trimethoxy A.F	5.694	29704985	99.02	1.00
8	RT:7.760	7.760	70121	0.23	1.36
9	RT:8.585	8.585	79586	0.27	1.51
10	RT:9.356	9.356	53973	0.18	1.64
11	RT:10.694	10.694	6784	0.02	1.88
Total			29999741	100.00	



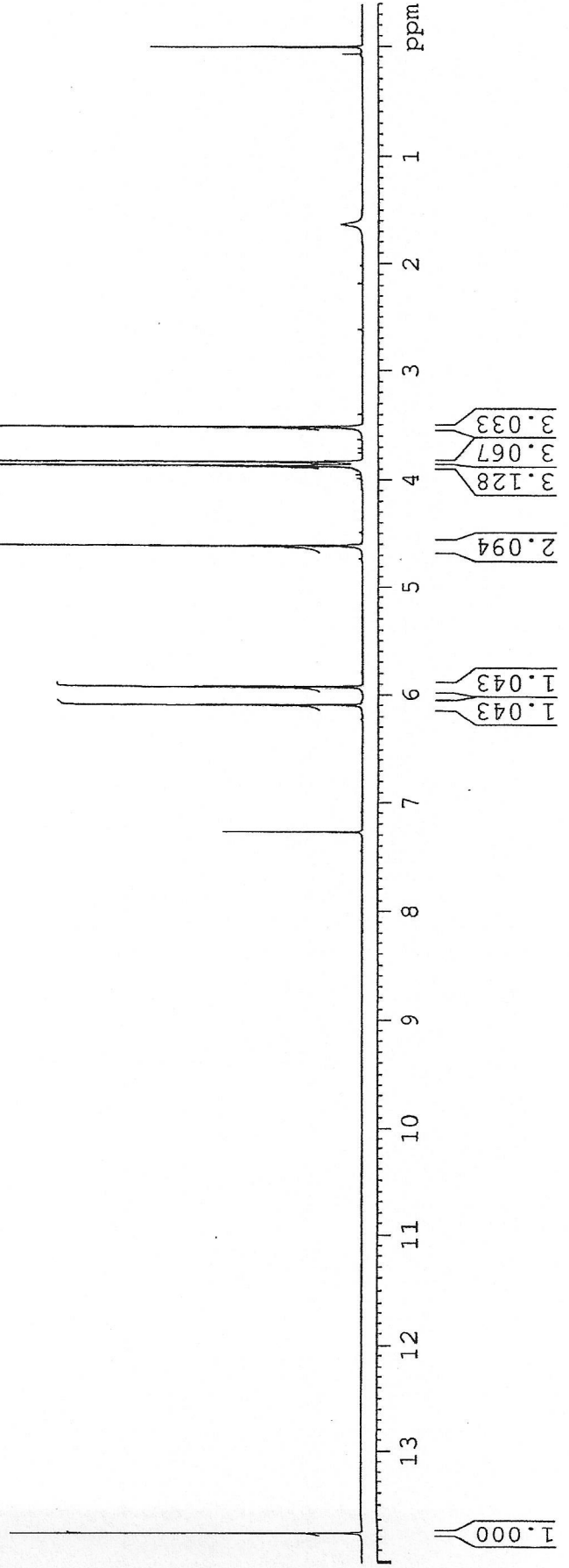
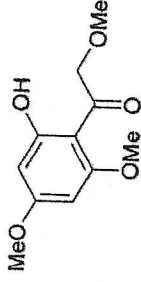
INDOFINE Chemical Company, Inc.  
121 STRYKER LANE  
BLDG. 30, SUITE 1  
HILLSBOROUGH, NJ 08844

Catalog No.: 19-499  
Product Name: 2'-Hydroxy- $\alpha$ ,4',6'-trimethoxyacetophenone  
Lot No.: 98110

SOLVENT CDCl<sub>3</sub>  
NS 16  
DS 0  
SWH 9803.922 Hz  
FIDRES 0.326819 Hz  
AQ 1.5299480 sec  
RG 40.3  
DW 51.000 usec  
DE 6.00 usec  
TE 298.2 K  
D1 1.50000000 sec  
TD0 1

1H IN CDCl<sub>3</sub>  
AVANCE-600

CHANNEL f1  
NUC1 1H  
P1 7.50 usec  
PL1 2.60 dB  
PL1W 6.62584448 W  
SF01 600.3345228 MHz  
SI 32768  
SF 600.3300097 MHz  
WDW EM  
SSB 0  
LB 0.30 Hz  
GB 0  
PC 1.00

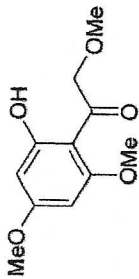




INDOFINE Chemical Company, Inc.

121 STRYKER LANE  
BLDG. 30, SUITE 1  
HILLSBOROUGH, NJ 08844

Catalog No.: 19-499  
Product Name: 2'-Hydroxy- $\alpha$ ,4',6'-trimethoxy  
acetophenone  
Lot No.: 98110



1H IN CDCL3  
AVANCE-600

SOLVENT CDCL3  
NS 16  
DS 0  
SRH 9803.922 Hz  
FIDRES 0.326819 Hz  
AQ 1.5299480 sec  
RG 40.3  
DW 51.000 usec  
DE 6.00 usec  
TE 298.2 K  
D1 1.50000000 sec  
TD0 1

==== CHANNEL f1 =====  
NUC1 1H  
P1 7.50 usec  
PL1 2.60 dB  
PL1W 6.62584448 W  
SFO1 600.3345228 MHz  
SI 32768  
SF 600.3300097 MHz  
WDW EM  
SSB 0  
LB 0.30 Hz  
GB 0  
PC 1.00

